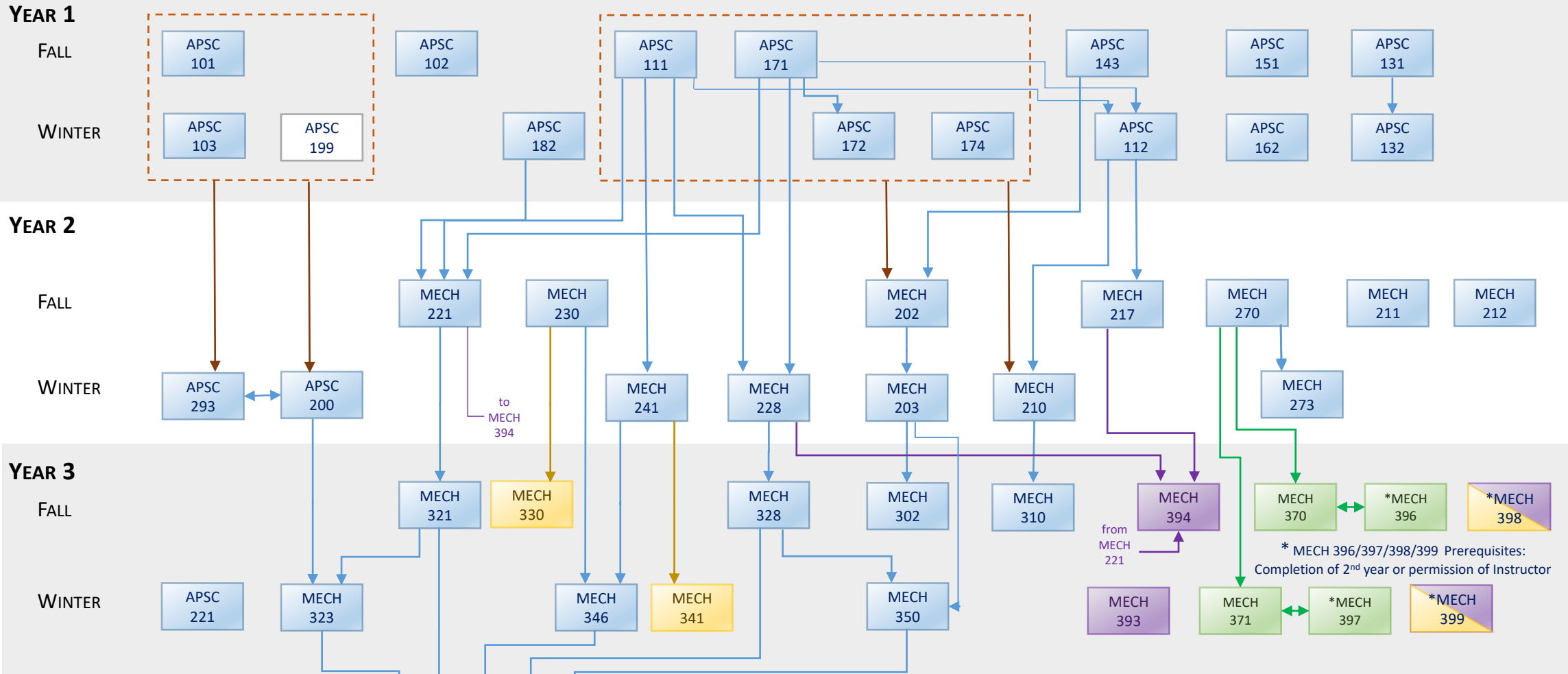


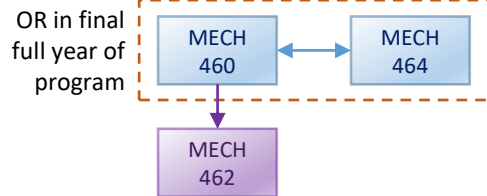
# CORE Courses and Prerequisite Flowchart – Class of 2026

\*Transfer students may be required to follow an alternate plan and will be reviewed on a case-by-case basis. Contact a Program Assistant at [mme.advisor@queens.ca](mailto:mme.advisor@queens.ca) or McLaughlin Hall 201.



## YEAR 4

FALL  
WINTER



### Overall Program Requirements for all Options

Years 1, 2, 3 & 4 Core and Option-Core courses as outlined above.  
 Nine (9.0) additional Complementary Study elective credits required (see Academic Calendar).  
 Option-Specific Technical Elective credit requirements summarized below (Lists in Academic Calendar).

**ME1 Requirements**  
 20.5 credits of technical electives.

**ME2 Requirements**  
 20.5 credits of technical electives including 10 from List 2.

**ME3 Requirements**  
 17 credits of technical electives including 10 from List 3.

Each student is personally responsible for meeting the graduation requirements of their own program!

**See Academic Calendar for additional Technical Elective and Complementary Study requirements.**