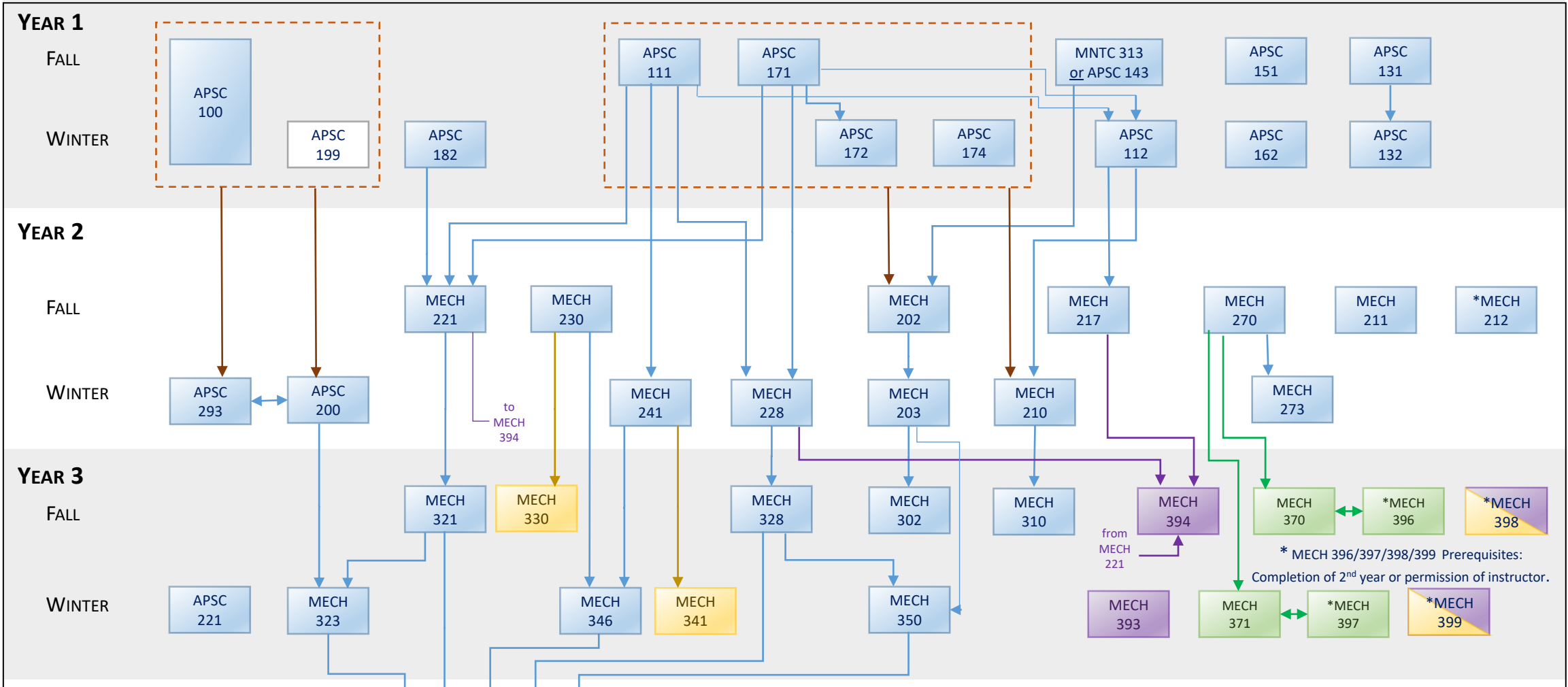


# Core Courses and Prerequisite Flowchart – Class of 2024

Transfer students will be reviewed individually for potential course substitutions. Contact a Program Assistant in MECH Office, McLaughlin Hall 200.



### Program Requirements for all Options

Year 1, 2, 3 & 4 Core and Option-Core Courses as shown above.  
 Technical Electives to meet Option-Specific requirements below and in the academic calendar.  
 9 credits of Complementary Studies (3 credits from List A, 6 credits from List A or B).

**ME1 Requirements**  
 20.5 credits of technical electives.

**ME2 Requirements**  
 20.5 credits of technical electives including 10 from list 2.

**ME3 Requirements**  
 17 credits of technical electives including 10 from list 3.

See the Academic Calendar for detailed option-specific Technical Elective requirements.

Each student is personally responsible for meeting the graduation requirements of their own program!